

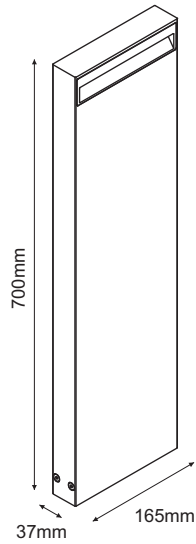
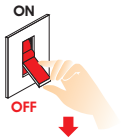
ORIGIN BD (Bollard) 10W / 70cm

Installation Manual

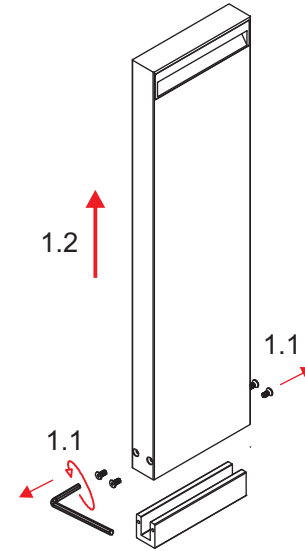
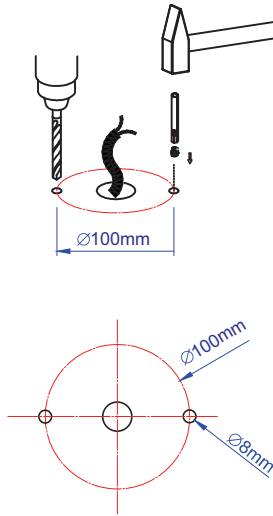


Attention

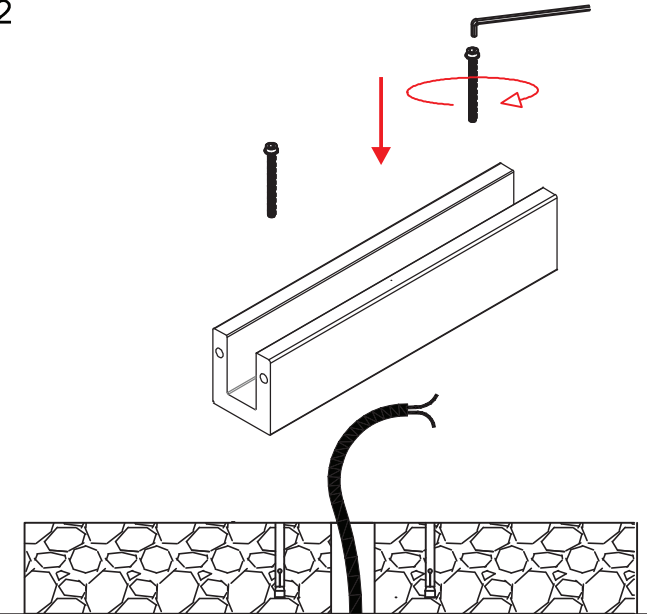
Before any maintenance switch off the main power.



1



2



3

230VAC Non-Dimmable

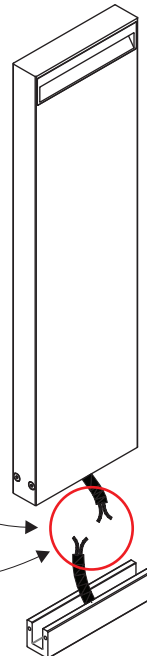


For cable connection you must use IP67/IP68 connectos or junction box.

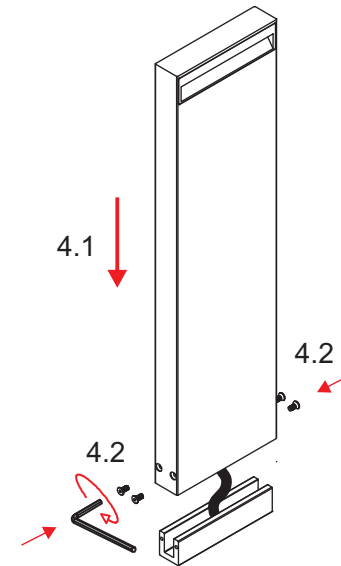
48VDC PWM Dimmable



For cable connection you must use IP67/IP68 connectos or junction box.



4



5

